

**AMP**AMP INCORPORATED  
Harrisburg, Pa. 17105

## AMP ★ INSERTION TOOL 91233-1

Instruction Sheet

**IS 6625**

RELEASED 4-21-81

REDUCED FOR PACKAGING

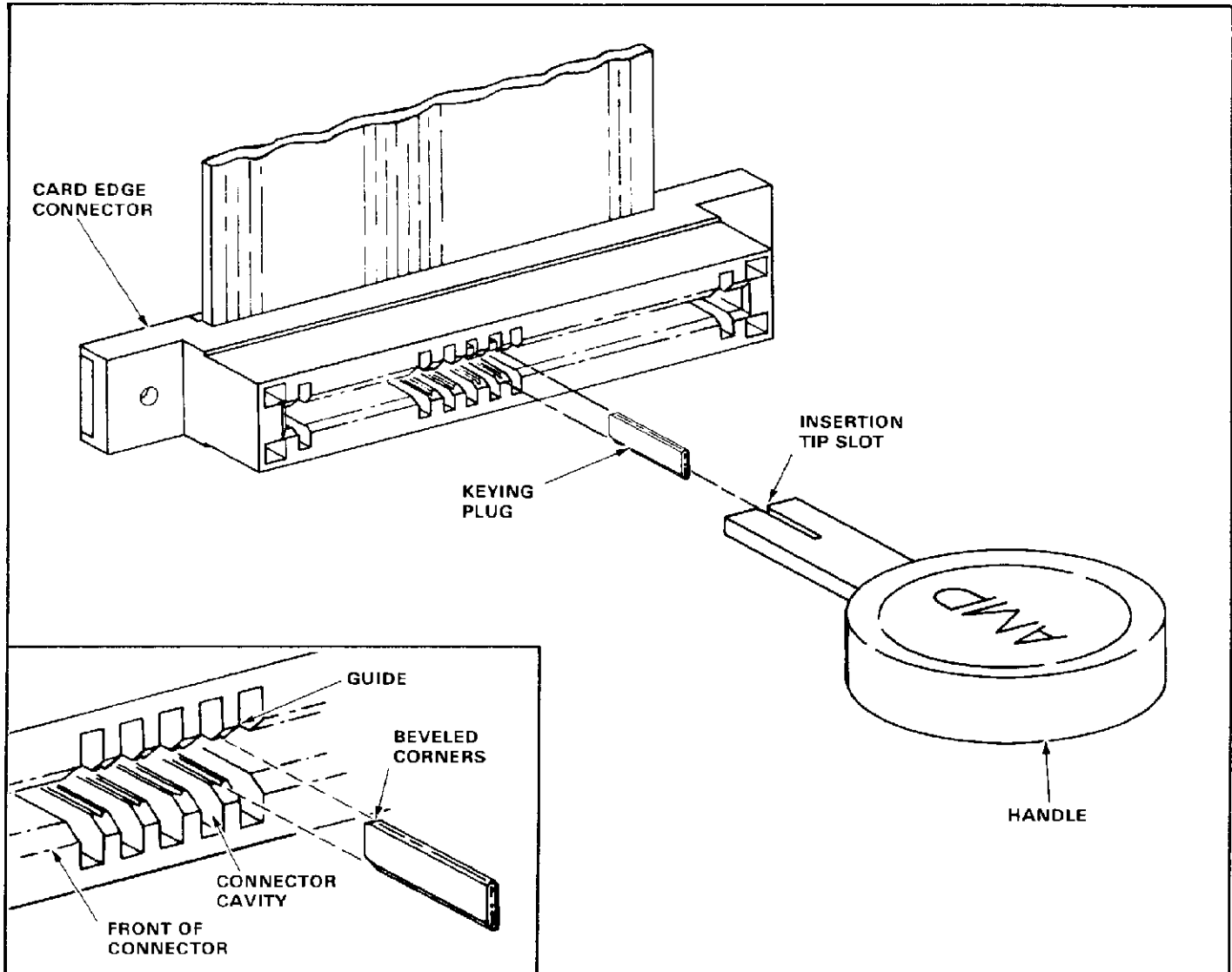


Fig. 1

**1. INTRODUCTION**

This instruction sheet covers the use of the AMP Insertion Tool 91233-1 which is designed to insert the AMP-LATCH ★ Intercontact Keying Plug 88113-1 into AMP-LATCH Card Edge Connectors for polarization. Read these instructions thoroughly before inserting any keying plugs.

NOTE

All dimensions presented on this instruction sheet are in inches, unless otherwise stated.

**2. DESCRIPTION (Figure 1)**

The insertion tool consists of a handle and insertion tip which holds the keying plug to insert it into the connector.

**3. INSERTION PROCEDURES (Figure 1)**

Determine the connector position to be keyed and insert keying plug as follows:

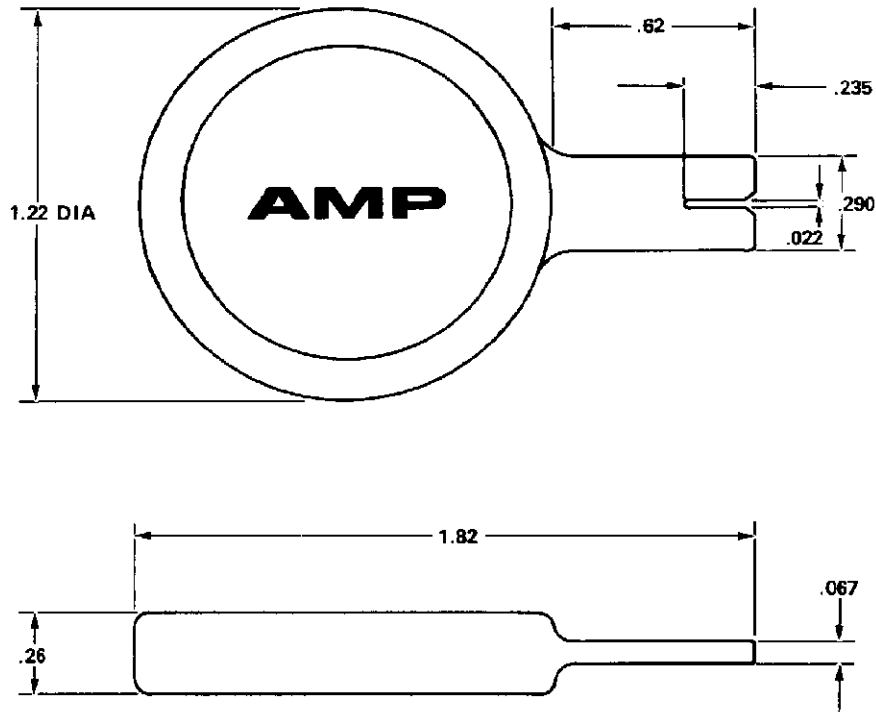
1. Center flat side of keying plug in insertion tip slot and push in plug until it bottoms.

NOTE

The beveled corners of keying plug are designed to ease entry into connector guides.

2. Hold tool handle firmly and align plug with selected guides.
3. Insert plug straight into connector until bottomed.
4. Remove tool from connector.

Copyright 1981 by AMP Incorporated, Harrisburg, Pa. All International Rights Reserved. AMP Incorporated products covered by U.S. and Foreign patents and/or patents pending.



INSERTION TOOL	PRODUCT DESIGNED FOR	ENGINEERING APPROVAL	DATE
91233-1	AMP-LATCH Intercontact Keying Plug 88113-1	<i>Hall</i>	4/21/81

Fig. 2

**4. TOOL CERTIFICATION**

The tool listed in this instruction sheet should be certified with the information provided in Figure 2. We recommend that you inspect the tool immediately upon arrival in your factory, and at regular scheduled intervals to ensure that the tool has not been damaged.

Additional tools can be purchased from:

AMP Incorporated  
Eisenhower Boulevard  
Harrisburg, Pennsylvania 17105